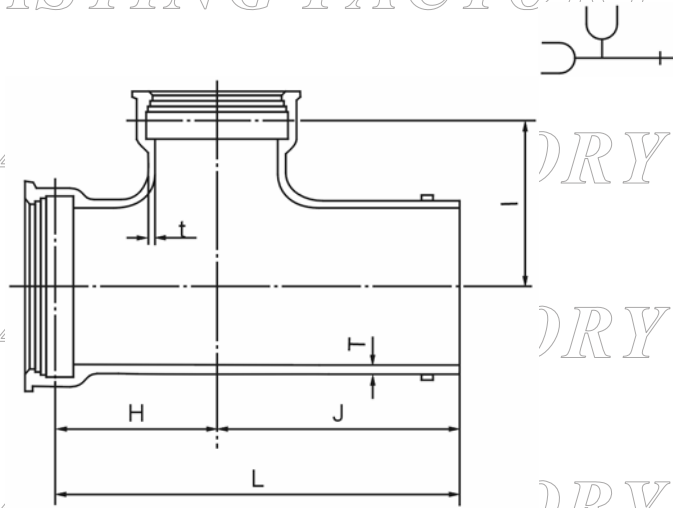




U型雙承口丁字管 SHIN NAN CASTING FACTORY CO., LTD.



單位: mm

標稱管徑		管厚		各部尺度				質量	標稱管徑		管厚		各部尺度				質量
D	d	T	t	H	I	J	L	(kg)	D	d	T	t	H	I	J	L	(kg)
700	400	17.0	14.0	725	600	980	1705	636	2000	1100	32.0	23.0	1075	1455	1250	2325	4320
700	500	17.0	15.0	725	600	980	1705	653	2000	1200	32.0	24.0	1205	1495	1400	2605	4780
700	600	17.0	16.0	725	600	980	1705	675	2000	1350	32.0	25.0	1205	1495	1400	2605	4850
700	700	17.0	17.0	725	705	980	1705	768	2000	1500	32.0	26.0	1285	1515	1500	2785	5200
800	500	18.0	15.0	795	670	1030	1825	819	2000	*1600	32.0	27.5	1335	1525	1520	2855	5580
800	600	18.0	16.0	795	670	1030	1825	837	2000	*1650	32.0	28.0	1365	1525	1550	2915	5710
800	700	18.0	17.0	795	775	1030	1825	932	2000	*1800	32.0	30.0	1445	1535	1630	3075	6100
800	800	18.0	18.0	795	775	1030	1825	976	2000	*2000	32.0	32.0	1545	1545	1730	3275	6700
900	600	19.0	16.0	705	690	940	1645	890	2100	1100	33.0	23.0	1085	1505	1260	2345	4680
900	700	19.0	17.0	875	855	1090	1965	1120	2100	1200	33.0	24.0	1215	1525	1400	2615	5140
900	800	19.0	18.0	875	855	1090	1965	1170	2100	1350	33.0	25.0	1215	1545	1400	2615	5220
900	900	19.0	19.0	875	855	1090	1965	1210	2100	1500	33.0	26.0	1285	1555	1500	2785	5570
1000	600	20.0	16.0	785	770	990	1775	1090	2100	1600	33.0	27.5	1345	1585	1540	2885	5850
1000	800	20.0	18.0	945	925	1140	2085	1380	2100	*1650	33.0	28.0	1375	1585	1560	2935	6150
1000	1000	20.0	20.0	945	925	1140	2085	1470	2100	*1800	33.0	30.0	1445	1585	1640	3085	6510
1100	600	21.0	16.0	755	800	1000	1755	1230	2100	*2000	33.0	32.0	1555	1605	1750	3305	7100
1100	800	21.0	18.0	845	935	1050	1895	1440	2100	*2100	33.0	33.0	1605	1605	1800	3405	7460
1100	1000	21.0	21.0	1015	995	1200	2215	1780	2200	1200	34.0	24.0	1215	1585	1410	2625	5550
1200	600	22.0	17.0	785	860	1000	1785	1410	2200	1350	34.0	25.0	1215	1605	1410	2625	5630
1200	900	22.0	19.0	915	1015	1100	2015	1720	2200	1500	34.0	26.0	1305	1615	1500	2805	6010
1200	1200	22.0	22.0	1075	1055	1250	2325	2080	2200	1600	34.0	27.5	1355	1645	1540	2895	6280
1350	600	24.0	19.0	805	950	1000	1805	1730	2200	1650	34.0	28.0	1375	1645	1570	2945	6400
1350	900	24.0	19.0	965	1105	1150	2115	2120	2200	*1800	34.0	30.0	1455	1645	1640	3095	7000
1350	*1350	24.0	24.0	1185	1155	1350	2535	2830	2200	*2000	34.0	32.0	1565	1665	1750	3315	7600
1500	600	26.0	21.0	835	1050	1000	1835	2100	2200	*2100	34.0	33.0	1615	1665	1800	3415	7880
1500	1000	26.0	21.0	1025	1205	1200	2225	2640	2200	*2200	34.0	34.0	1665	1665	1850	3515	8270
1500	*1500	26.0	26.0	1285	1255	1400	2685	3520	2400	1350	36.0	25.0	1255	1665	1390	2645	6420
1600	900	27.5	21.0	955	1215	1150	2105	2770	2400	1500	36.0	26.0	1335	1675	1470	2805	6790
1600	1000	27.5	21.0	1055	1245	1250	2305	3010	2400	1600	36.0	27.5	1375	1695	1510	2885	7050
1600	1100	27.5	22.0	1055	1245	1250	2305	3060	2400	1650	36.0	28.0	1405	1705	1540	2945	7210
1600	1200	27.5	23.0	1185	1285	1350	2535	3350	2400	1800	36.0	30.0	1485	1725	1620	3105	7640
1600	*1350	27.5	24.0	1185	1285	1350	2535	3540	2400	*2000	36.0	32.0	1585	1745	1720	3305	8490
1600	*1500	27.5	26.0	1265	1305	1450	2715	3860	2400	*2100	36.0	33.0	1645	1765	1780	3425	8860
1600	*1600	27.5	27.5	1315	1315	1500	2815	4140	2400	*2200	36.0	34.0	1705	1775	1840	3545	9210
1650	1000	28.0	21.0	1055	1265	1250	2305	3150	2400	*2400	36.0	36.0	1795	1795	1930	3725	10010
1650	1100	28.0	22.0	1055	1265	1250	2305	3190	2600	1500	37.5	26.0	1380	1795	1390	2770	7870
1650	1200	28.0	23.0	1185	1305	1350	2535	3500	2600	1600	37.5	27.5	1430	1815	1440	2870	8190
1650	1350	28.0	24.0	1185	1305	1350	2535	3580	2600	1650	37.5	28.0	1450	1825	1470	2920	8340
1650	*1500	28.0	26.0	1265	1305	1450	2715	3990	2600	1800	37.5	30.0	1530	1835	1540	3070	8770
1650	*1600	28.0	27.5	1325	1345	1500	2825	4260	2600	2000	37.5	32.0	1630	1855	1650	3280	9420
1650	*1650	28.0	28.0	1345	1345	1530	2875	4420	2600	2100	37.5	33.0	1690	1865	1700	3390	9760
1800	1000	30.0	22.0	1075	1345	1250	2325	3630	2600	*2200	37.5	34.0	1740	1875	1860	3600	10670
1800	1100	30.0	23.0	1075	1345	1250	2325	3670	2600	*2400	37.5	36.0	1840	1905	1970	3810	11470
1800	1200	30.0	24.0	1195	1375	1400	2595	4060	2600	*2600	37.5	37.5	1940	1940	2070	4010	12700
1800	1350	30.0	25.0	1195	1375	1400	2595	4130									
1800	*1500	30.0	26.0	1285	1405	1450	2735	4550									
1800	*1600	30.0	27.5	1335	1415	1510	2845	4810									
1800	*1650	30.0	28.0	1355	1415	1540	2895	4920									
1800	*1800	30.0	30.0	1425	1425	1610	3035	5320									

備考: 1.d之承口為標稱管徑 600 mm 以下者, 依 K 型。

2.標稱管徑欄有 * 符號之管, 須附補強肋。